

Quartz Crystal Resonator

DIP 3×8mm

ELECSOUND®

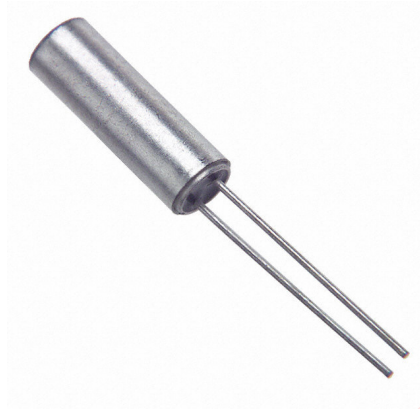
DIP Cylindrical Crystal MHz

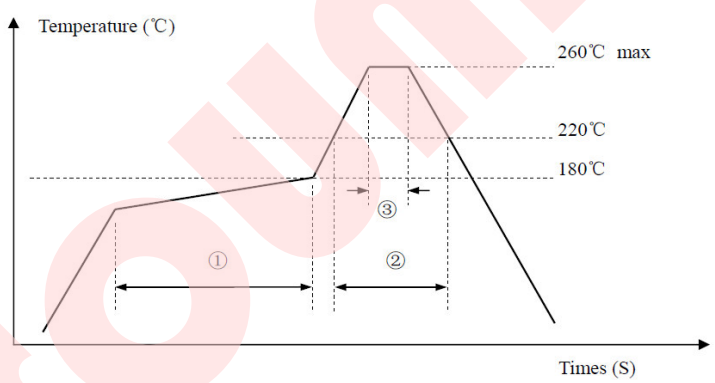
3 x 8 mm cylinder type

Small size

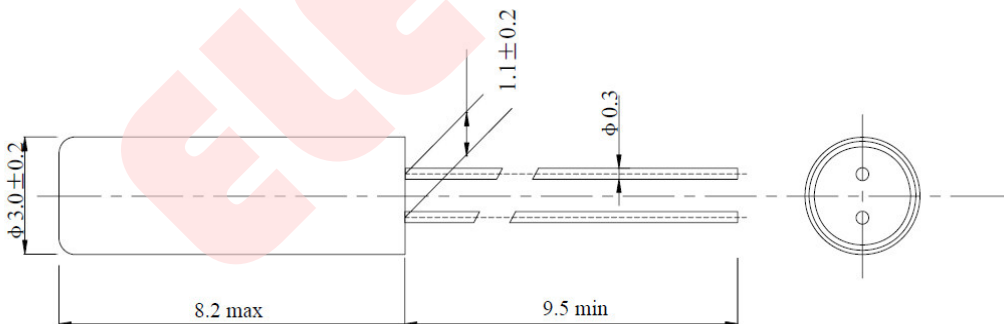
±20 ppm Standard

With Insulation Sleeve Available



DESCRIPTION	CONTENTS	REFLOW SOLDERING PROFILE
Frequency Range	32.768KHz~50.000MHz	 <p>① Preheat 160~180°C 120sec. max ② Primary heat 220°C 60sec. max ③ Peak 260°C 10sec. max</p>
Tolerance @25±2°C	±10ppm~±20ppm	
Frequency Stability	±10ppm~±30ppm	
Operating Temperature Range	0~+50°C to -40~+85°C	
Storage Temperature Range	-40°C~+85°C	
Load Capacitance(CL)	20pF Std. 7pF~33pF available	
Drive Level	10μW (300μW Max)	
Shunt Capacitance	10pf (max)	
Aging Rate a year	±5ppm (max)	
Insulation Resistance	500Megao ohm min/D.C100V	

DIMENSIONS



Elecsound Technology Company Limited

TEL: 0086-755-82908842

FAX: 0086-755-830

Website: www.elecsound.com

Email: sales@elecsound.com