

# Single Turn Potentiometer

## ET3306 Cermet Trimming Potentiometer

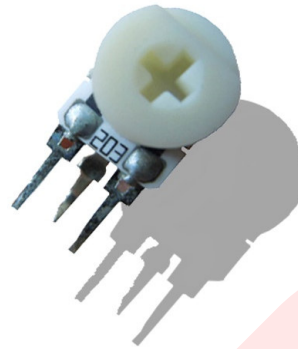
**ELECSOUND®**

Elecsound is a leading manufacturer of trimming potentiometers with more than 10 years experiences in manufacturer. Our factory is located in Chengdu, China. Our products include: 3006, 3262, 3266, 3269, 3296, 3299, 3303, 3306, 3309, 3318, 3323, 3329, 3362, 3386, 3540 and 3590.

Round/ Single-Turn/ Cermet/ Industrial

4 Terminal Styles

Rohs Compliant



### Electrical Characteristics

Standard Resistance Range: 100Ω - 1MΩ

Resistance Tolerance: ±30% std.

Absolute Minimum Resistance: ≤1% max.

Contact Resistance Variation: ≤3% max.

Resistance: Essentially infinted

Adjustment Angle: 215° normal

### Environmental Characteristics

Power Rating:(50VDC max)0.3W@70°C

Temperature Range: -30°C to +100°C

Temperature Coefficient: ±250ppm/°C

Load Life: 1000hours , 0.3W @70°C

### Physical Characteristics

Mechanical Angle: 240° ±10°

Operating Torque: ≤30mN·m

Terminals: Solderable pins

Marking: Resistance code

Standard Packaging: 200pcs per bag

### How To Order:

**ET 3306 W - 1 - 103**

Model \_\_\_\_\_  
 Style \_\_\_\_\_  
 Standard Product \_\_\_\_\_  
 Resistance Code \_\_\_\_\_

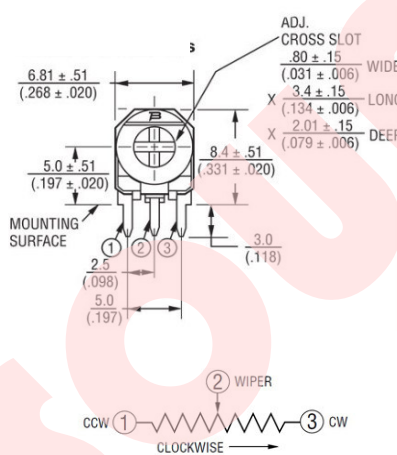
### Standard Resistance Table:

Resistance (Ohms)	Resistance Code
100	101
200	201
500	501
1000	102
2000	202
5000	502
10000	103
20000	203
25000	253
50000	503
100000	104
200000	204
250000	254
500000	504
1000000	105

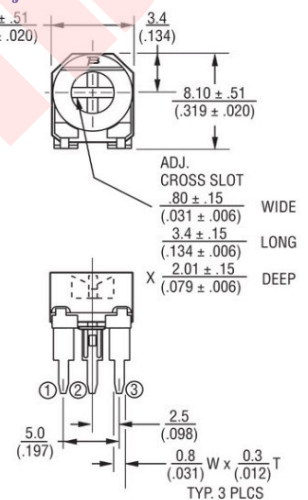
Special Resistance Available

### ET3306 Common Dimension

#### Side Adjust

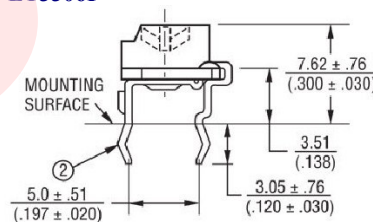


#### TOP adjust

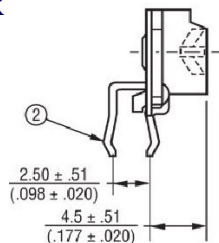


### ET3306 Adjust Method

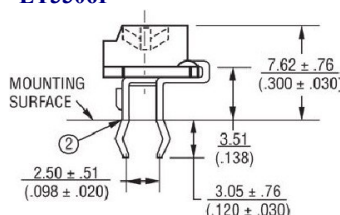
#### ET3306F



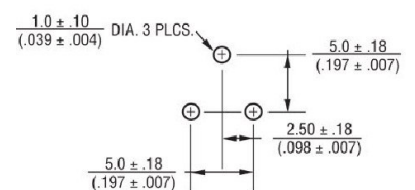
#### ET3306K



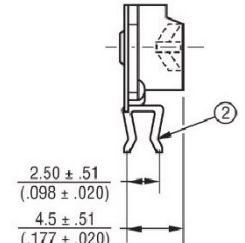
#### ET3306P



### PCB Layout-F style



### ET3306W



### PCB Layout-K,P,W style

