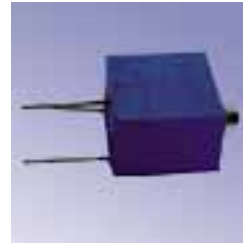


## 3262 Trimming potentiometer



### Characteristics

#### Electrical Characteristics

(Standard Resistance Range).....	10Ω—2MΩ
(Resistance Tolerance).....	±10%
(Terminal Resistance).....	≤1 %R or 2Ω
(Contact Resistance Variation).....	3%R or 3Ω
(Insulation Resistance).....	R1≥1GΩ
(Effective Electrical Travel).....	12±2(cycles)

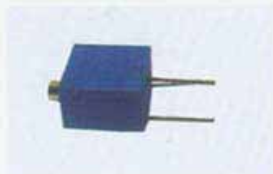
#### Environmment Characteristics

Rated Power).....	+ 70 0.25W , + 125 0W
(Temperature Range).....	- 55 — + 125
(Temperature Coefficient).....	±250 , ±100ppm /
(Temperature Variation).....	R≤±1%R , (Uab / Uac)≤±1%
(Vibration).....	390m / s <sup>2</sup> , 4000
(Collision).....	10—500HZ,0.75mm,or 98m / s <sup>2</sup> ,6h
(Climate Category).....	R<±5%R , R1≥100MΩ
.....	R1≥100MΩ
(Electrical Endurance at 70 ).....	0.5W,1000h, R≤±10%R
(Mechanical Endurance).....	200 (cycles), R≤±10%R
(Steadydamp-heat).....	R<±3%R , R1≥100MΩ

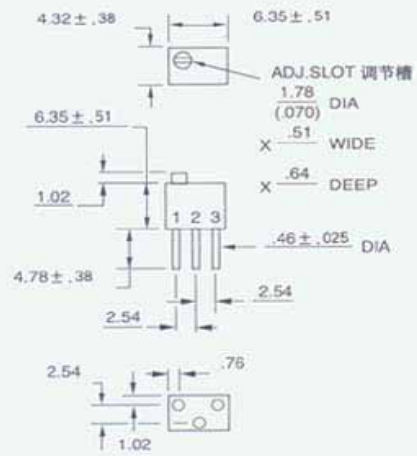
#### Physical Characteristics

(Total Machanical Travel).....	12±2(cycles)
(Staring Torque).....	≤25mN·m

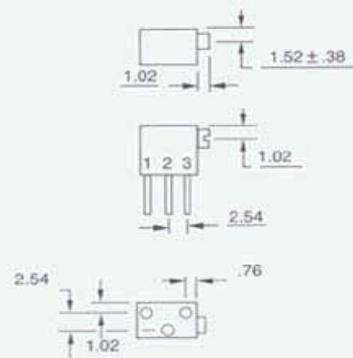
调节方式  
Adjust Methods



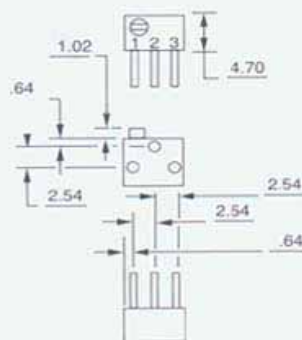
安装方式  
Dimensions



3262W型

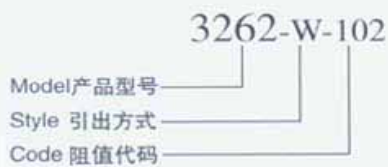


3262X型



3262P型

订购指南 How To Order



注：可提供特殊阻值。  
Special resistances available

Products : **Cermet Trimming potentiometers, ,3006 trimpot; 3262 trimpot; 3269 trimpot; 3296 trimpot; 3299 trimpot; 3323 trimpot; 3329 trimpot; 3362 trimpot; 3386 trimpot;**  
Email: [inquiry@elecsound.cn](mailto:inquiry@elecsound.cn)    [Http://www.elecsound.cn](http://www.elecsound.cn)    Tel: 86 755 83045964  
**Elecsound Electronics Company Limited**